

CL-240B

FLOOR PLATE VEHICLE LIFT



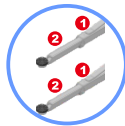
Features



Aluminum motor + iron oil tank



Car door protection

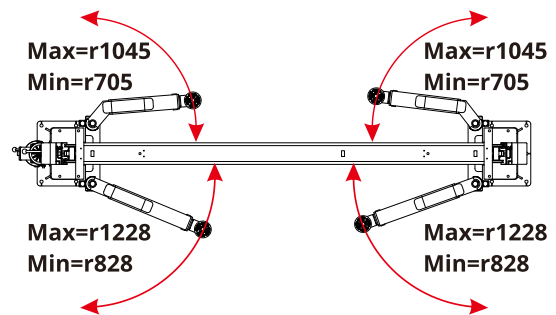
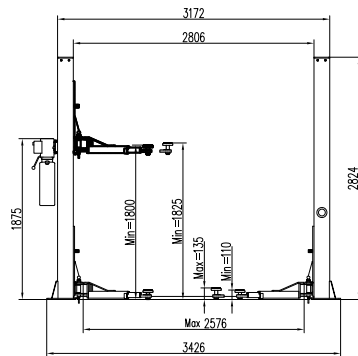


2-stage asymmetric arm

* High quality hydraulic system & heavy loading cables

* Standard overloading protection & double safety locks

Dimensions



Parameters

MODEL	Lifting capacity	Lifting height	Max car width	Min height	Lifting time	Lowering time	Optional power supply	Motor power
CL-240B	≤4000kg (8840 lbs)	≤1800mm (70.9")	≤2576mm (101.4")	110mm (4.3")	55 S	26 S	220v (1ph) /380v(3ph)	2.2 kw

