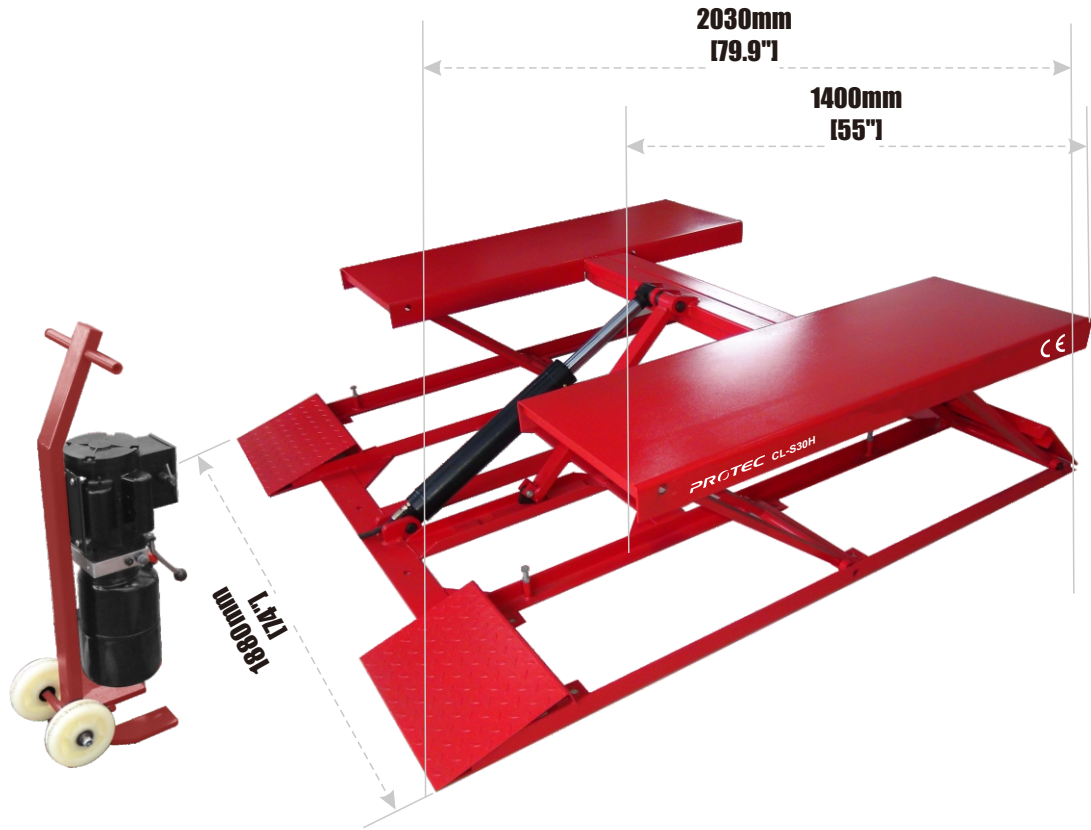
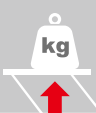
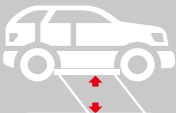

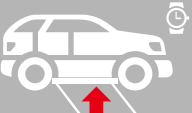
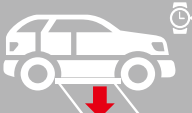


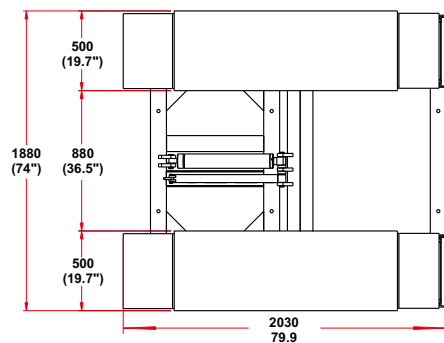
# CL-S30H

## SMALL PLATFORM SCISSOR LIFT



<p><b>≤2500kg</b> (5511 lbs)</p>  <p><b>Lifting capacity</b></p>	<p><b>≤620mm</b> (24.2")</p>  <p><b>Lifting height</b></p>	<p><b>≤100mm</b> (3.9")</p>  <p><b>Min height</b></p>
<p><b>25 S</b></p>  <p><b>Lifting time</b></p>	<p><b>25 S</b></p>  <p><b>Dropping time</b></p>	

### DIMENSION OVERVIEW



### SPECIFICATIONS

Optional power supply 220v (1ph)/380v(3ph)  
 Motor power 2.2 kw