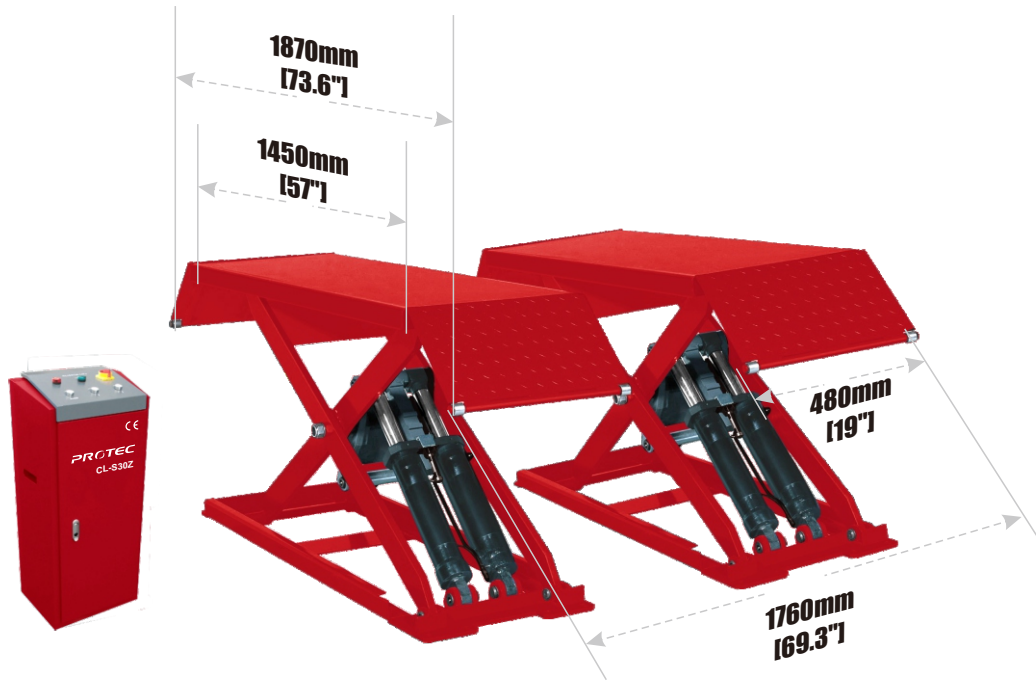


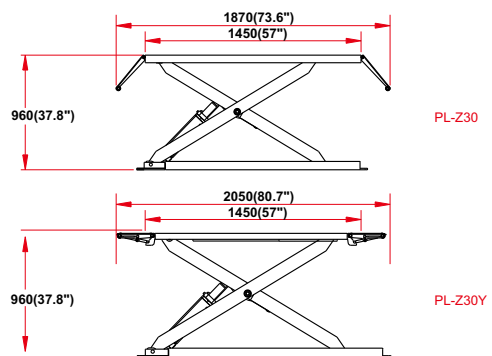
# CL-S30Z

MID-RISE SCISSOR LIFT



<p><b>≤3000kg</b> (6600 lbs)</p> <p><b>Lifting capacity</b></p>	<p><b>≤960mm</b> (37.8")</p> <p><b>Lifting height</b></p>	<p><b>≤105mm</b> (4.1")</p> <p><b>Min height</b></p>
<p><b>30 S</b></p> <p><b>Lifting time</b></p>	<p><b>30 S</b></p> <p><b>Dropping time</b></p>	

## DIMENSION OVERVIEW



## SPECIFICATIONS

Optional power supply 220v (1ph)/380v(3ph)  
 Motor power 2.2 kw