







Contents

1.	Warning Sign	2
2.	Instruction	3
3.	Safety Requirement	4
4.	Transport	5
5.	Unpacking	6
6.	Installation	6-7
7.	Operation	8-11
8.	Moving	11-12
9.	Storage	13
10.	Scrapping	13
11.	Maintenance	13-14
12.	Electric Connection Diagram	15

1. Warning Sign

1		Keep safety for electrified devices.
2		Do not put your leg between the bead breaker are and the tire when the bead breaking is used.
3		Do not put your hand between the tire and turntable when machine is operated.
4		Do not put your hand between the M/D head and the tire.
5		It is forbidden to put your hand or tools in the claws when they are opened or closed.
6		Do not stand behind the vertical arm when machine is operated.

2. Introduction

Thank you for purchasing our tire changers. The machine has been manufactured in accordance with the very best quality principles. This manual is one integral part of the product. Before using the tire changer, read carefully the warnings and instructions contained in this manual since they provide important information on operation safety and maintenance.

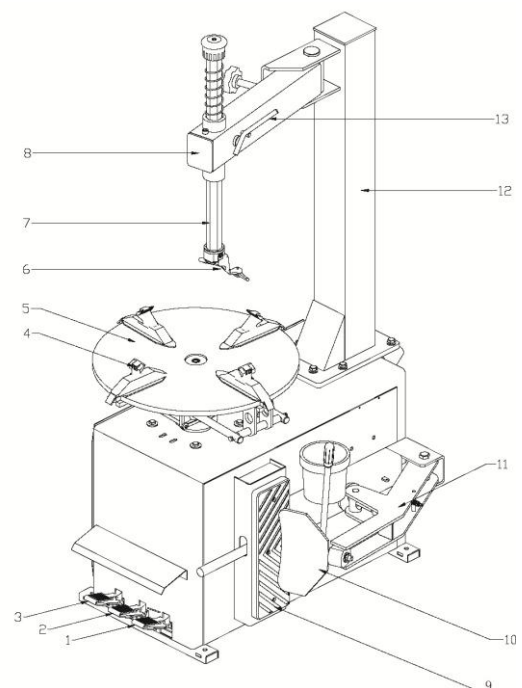
Keep this manual for future reference.

1). Technical Data

Max tire diameter	1000mm
Max tire width	13"
Internal locking rim dimensions	10" -18"
External locking rim dimensions	12"-20"
Force on bead breaker blade	2000Kg
Working pressure	0.8-1.2Mpa
Power supply voltage	220V/110V/380V
Motor power	1.1kw/0.75Kw
Noise level in working conditions	<70dB

2). Description of Machine

1. Reverser control pedal
2. Bead breaker control pedal
3. Clamp control pedal
4. Jaw
5. Turntable
6. M/D head
7. Hex Arm
8. Swivel Arm
9. Tire Pressing Rubber
10. Bead Breaker Blade
11. Bead Breaker Arm
12. Column
13. Locking Handle



3. Safety Requirement

1). Usage

This tire changer has been designed and manufactured exclusively for removing and mounting tires from/into rims from 10" to 21" and a maximum diameter of 1100mm. Any other use is to be considered incorrect and unreasonable.

In particular THE MANUFACTURE can't be held responsible for any damage caused through the use of this tire changer for purposes other than those specified in this manual, and therefore inappropriate, incorrect and unreasonable.

2). General Safety Precautions

This tire changer may only be used by specially trained and authorized expert personnel.

Any tampering and modification to the equipment carried out without the manufacturer's prior authorization will free him from all responsibility for damage caused directly or indirectly by the above actions.

The tire changer comes complete with instructions and warning transfers which are designed to be long-lasting. If they should for any reason be damaged or destroyed, please ask immediately for replacements from the manufacture.

Keep it away from combustible, explosive objectives, avoid strong light, sunshine, and keep it in good ventilation.

Make sure to use original spare parts and accessories, installed by authorized personnel according to manual.

Be careful if there are any dangers happen, stop the machine, contact manufacturer.

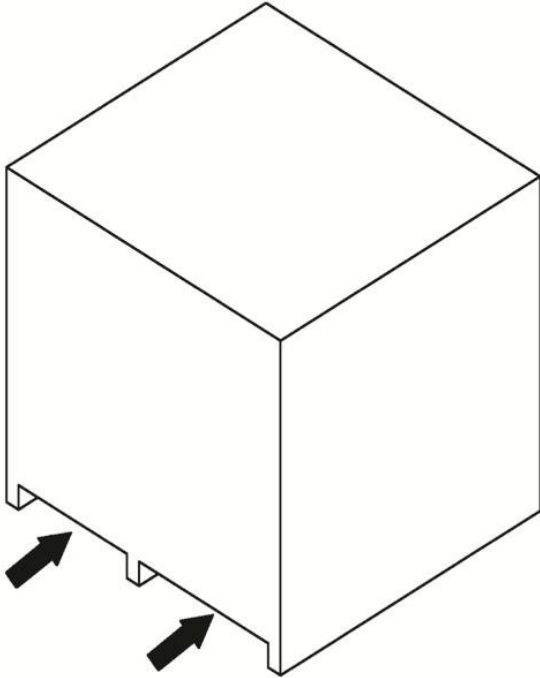
Non-operation personnel should be kept away from the machine.

Operators should be protected by protective (glove, eye-protection glasses, and working-clothes) to avoid any accidental injuries.

4. Transport

This tire changer must be transported in its original packaging and kept in the position shown on the package itself.

The packaged machine may be moved by means of a fork lift truck of suitable capacity. Insert the forks at the points shown at figure below.



5. Unpacking

Use proper protection tools to unpack (gloves etc)
Check that the equipment is in perfect condition, making sure that no parts are damaged or missing, if in doubt do not use the machine and contact your retailer.
Put the packing materials (plates, nails, screws, plastic bags) in safety place.

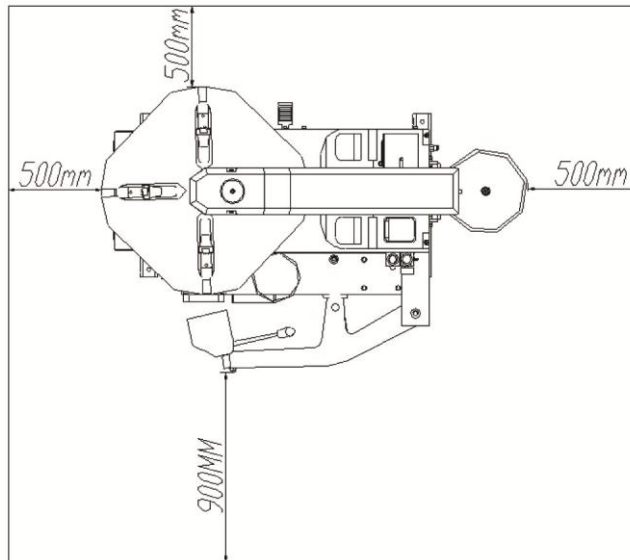
6. Installation.

1). Space Required

When choosing the place of installation is sure that it complies with current safety at work regulations.

This machine must be connected to the mains electric power supply and the compressed air system. It is therefore advisable to install the machine near these power sources.

The place of installation must also provide at least the space shown in figure below so as to allow all parts of the machine to operate correctly and without any restriction.



If this machine is installed outside it must be protected by a lean-to.

2). Commission

Before making the connections, check that the characteristics of your systems correspond to those required by the machine.

Even small jobs done on the electrical system must be carried out by professional personnel.

Connect the machine to the electrical network, which must be provided with line fuses, a good earth plate in compliance with regulations in force and it must be connected to automatic circuit breaker.

Warning: Should the tire changer be lacking in electric plug, so the user must set one, which is at least 16A and which conforms to the voltage of the machine, in compliance with the regulations in force.

3). Operation Test

When the pedal (1) is pressed down the turntable should turn in clockwise direction.

When the pedal is pulled up the turntable should turn in the anticlockwise direction.

Warning: if the turntable turns in the opposite direction to that shown, reverse the wires in the three-phase plug.

Pressing the pedal (2) activates the bead breaker; when the pedal is released the bead breaker returns to its original position.

Pressing the pedal (3) opens the four clamps; when the pedal is pressed again they close.

Pressing the pedal (4) tilts the arm; when the pedal is pressed again it returns to its working position.

When the pedal located on the left side of the machine is pressed down to the first gear, air is released from the airline gauge. Gauge will indicate the pressure after release of air.

When the pedal located on the left side of the machine is pressed down to the second gear, air is released from the airline gauge along with a powerful jet from the nozzles located on the turntable clamps.

Don't lean on the turntable during this operation, possible dirty dust on the turntable could offend the operator's eyes. For the same reason, be carefully as not to accidentally push the inflating pedal while working.

7. Operation

Don't use the machine until you have read and understood the entire manual and the warnings it provides.

The operation of the tire changer is divided into three parts:

- 1). Breaking the bead
- 2). Demounting the tire
- 3). Mounting the tire;

Warning: before carrying out any operation, deflate the tire and take off all the wheel balancing weights.

1). Breaking the bead

Warning: when the bead breaker pedal is operated, anything within the action range of bead breaker arm can be in the danger of being crushed.

Check that tire is deflated, if not, deflate it.

Close the turntable clamps completely.

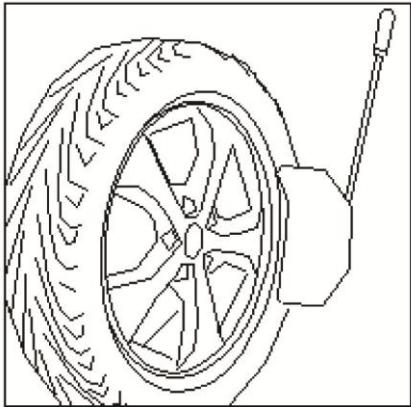
Warning: bead breaker with the clamps in the open position can be extremely dangerous for operator's hands; during the bead breaking operations never touch the side of the tire.

Position the wheel against the rubber stop on the right side of the tire changer.

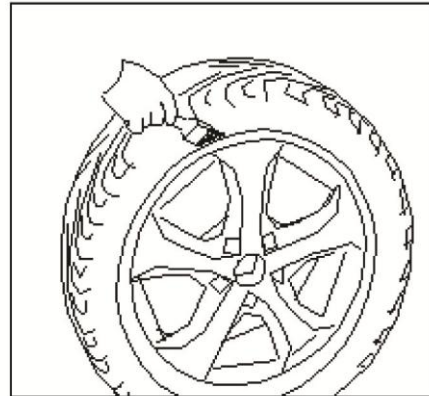
Position the bead breaking blade against the tire bead at a distance of about 1 cm from the rim. Pay attention to the blade, which must be correctly onto the tire not onto the rim.

Press down the pedal (2) to activate the bead breaker and release it when the blade has reached to the end of its travel or in any case when the bead is broken.

Rotate the tire slightly and repeat the operation around the entire circumference of the rim and from both sides until the bead is completely detached from the rim.



**Figure
7-1**



**Figure
7-2**

2). Demounting the Tire

Before any operations remove the old wheel balancing weights and check that the tire is deflated.

When tilting the vertical arm, be sure that nobody stands behind the tire changer.

Press down pedal (4), tilt the vertical arm, and clean the turntable.

Spread the grease onto the tire bead.

Failure to use the grease risks causing serious damage to the tire bead.

When clamping the tire, never have your hands under the tire. To clamp the tire correctly, position the wheel exactly at the center of the turntable.

Rim locking from outside:

Position the clamps according to the reference mark on the turntable by pressing the pedal down to its intermediate position.

Place the tire on the clamps and, keeping the rim pressed down, press the pedal (3) as far as it will go.

Rim locking from inside:

Position the clamps so that they are completely closed.

Place the tire on the clamps and press down the pedal (3) to open the clamps and thereby lock the rim.

Make sure the rim is firmly fixed to the clamps.

Press the pedal (4), restore the vertical arm to its working position.

Push out the locking button in the handle, release hex bar.

Lower the hex bar until the mounting tools rests against the edge of the rim.

Then lock it using the locking button in the handle. This way the mounting arm is locked in a vertical and horizontal direction and the mounting head is automatically moved to a distance of about 2mm from the rim.

Do not put hands on the wheel, when moving the mounting arm to its working position your hand could be crushed between the rim and the mounting head with the crowbar inserted between the bead and the front section of the mounting head, move the tire bead over the mounting head.

WARNING: In order not to damage the inner tube, if there is one, it is advisable to carry out this operation with the valve 10cm to the right of the mounting head.

Chains, bracelets, loose clothing or foreign objectives in the vicinity of moving parts can cause danger to the operator.

With the crowbar held in this position, rotate the turntable in a clockwise direction by pressing down on pedal (1) until the tire is completely separated from the wheel rim.

To prevent industrial accidents, keep hands and other parts of the body as far as possible from the tool arm when the table top is turning.

Remove the inner tube if there is one, need not release the mounting arm, press down pedal(4), directly tilt the vertical arm.

Repeat the operation for the other tire bead

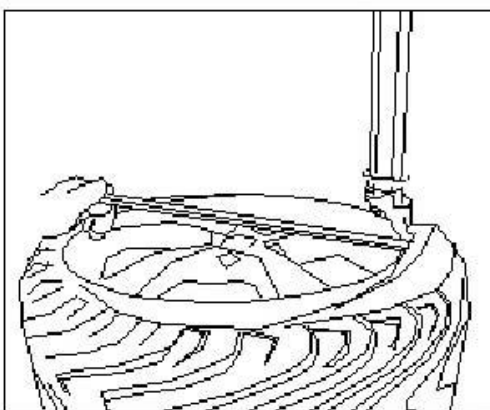


Figure 7-3

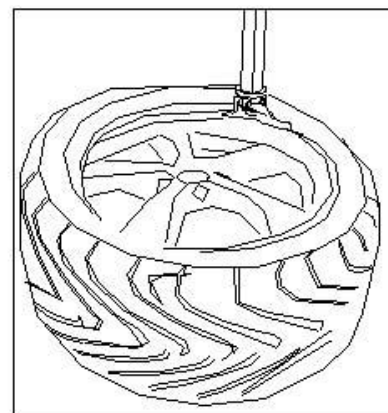


Figure 7-4

3). Mounting the Tire

Warning: this checking of tire and rim is of utmost importance to prevent tire explosion during the inflating operation. Before beginning mounting operation make sure that:

The tire and the cord fabric are not damaged. If you note the defects, do not mount the tire.

The rim is without dents and is not warped. Attention with alloy rims, dents because internal micro-cracks not visible to naked eye. This can compromise the rim and also be the source of danger especially during inflation.

The diameter of the rim and tire are exactly the same. Never try to mount a tire on a rim if you cannot identify the diameter of both.

Lubricate the tire beads with the special grease in order to avoid damaging them and to facilitate the mounting operations.

When tilting the vertical arm, make sure that nobody stands behind the tire changer.

When you are working with the rims of the same size, it is not necessary always to lock and unlock the hex bar. Just tilt and restore the vertical arm with the horizontal arm and mounting arm locked.

Move the tire so that the bead passes below the front section of the mounting head and is brought up against the edge of the rear section of the mounting head itself.

Keep the tire bead pressed down into the wheel rim channel with your hands, press down on the pedal (1) to rotate the turntable clockwise. Continue until you have covered the whole circumference to the wheel rim; insert the inner tube (if there is one).

Repeat the same operations to mount the upper side of the tire.

WARNING: dismounting and mounting are always done with the clockwise turntable rotation. Anticlockwise rotation is used only to correct operator's errors or if the turntable stalls.

8. Moving

Move the tire changer you need a fork-lift truck.

Disconnect the pneumatic and electric power supplies.

Apply leverage to one side of the base so as to raise it slightly from the floor,

Insert the forks of the truck under the base and slide the tire changer onto them.

Set the tire changer down in its new position.

9. Storage

In the event of storage for long periods of time, make sure to disconnect all sources of power and grease the clamp sliding guides on the turntable to prevent from oxidizing.

10. Scrapping

If you decide scrape the machine, be sure to make it inoperative by disconnecting it from all sources of power.

Remove all non-ferrous materials and dispose of them as prescribed by national law.

Collect the oil and dispose of it at an authorized point as prescribed by national law.

Scrape the rest ferrous material.

11. Maintenance

1) General warning

Unauthorized personnel may not carry out maintenance work.

Regular maintenance as described in the instructions is essential for correct operation and long lifetime of the tire changer.

If maintenance is not carried out regularly, the operation and reliability of the machine may be compromised, thus placing the operator and anyone else in the vicinity at risk.

Before carrying out any maintained work, disconnect the electric and pneumatic supplies. Moreover, it is necessary to break the bead load less 3-4 times in order to let the air in pressure go out of the circuit.

Defective parts must be replaced exclusively by expert personnel using the manufacture's spare parts.

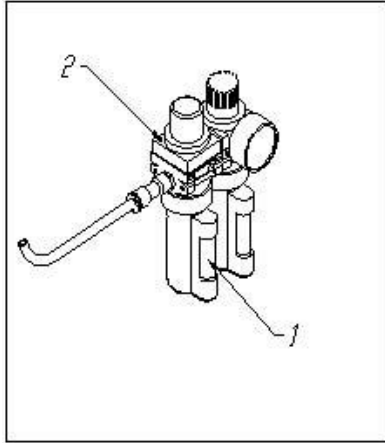
Removing or tampering with safety devices (pressure limiting and regulating valves) represents a contravention of safety regulations. In particular, the manufacturer shall not be held responsible for complaints deriving from the use of spare parts made by other manufacturers or for damage caused by tampering or removal of safety systems.

2). Maintenance Operations

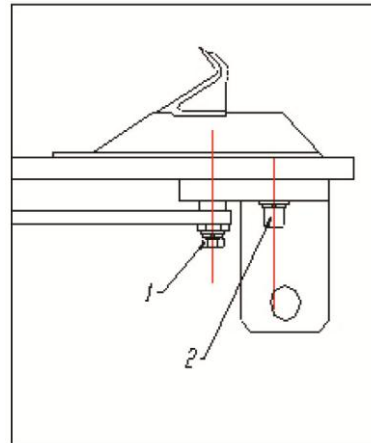
Clean the turntable once a week with diesel fuel so as to prevent the formation of dirt, and grease the clamp sliding guides.

Carry out the following operations at least once every 30 days:

Check the oil level in the lubricator tank. If necessary, fill up by unscrewing screw 2; only use SAE30 oil (figure 12-1)



**Figure
12-1**



**Figure
12-2**

If the turntable doesn't work, it may be caused by loose drive belt, check it as follows:
Before any operations, please disconnect the electric power supplies.
Remove the left side body panel of the tire changer. Tighten the drive belt by means of the special adjusting screw (1) on the motor support.

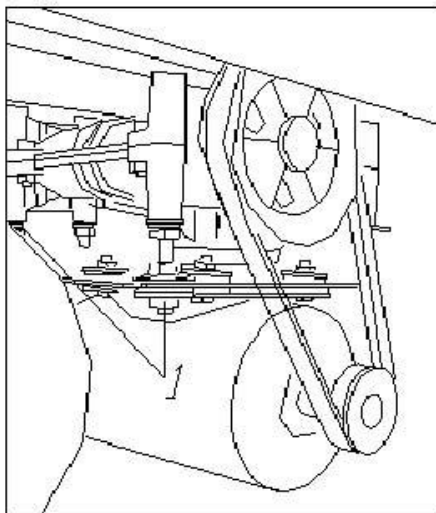


Figure 12-3

If clamps open/close slowly, it should be preceded as follows :(Figure 12-5)

- (1). Clean the turntable
- (2). Adjust the air valve bolt.

If the bead breaker opens/closes does not flexible,it should be preceded as follows:

- (1).Check whether the air tank got any leaks or not.
- (2).Adjust the air valve bolt.

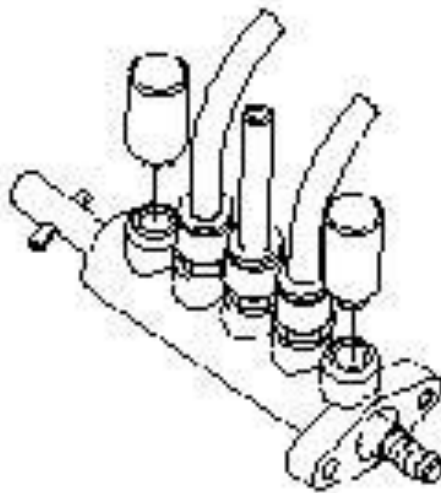
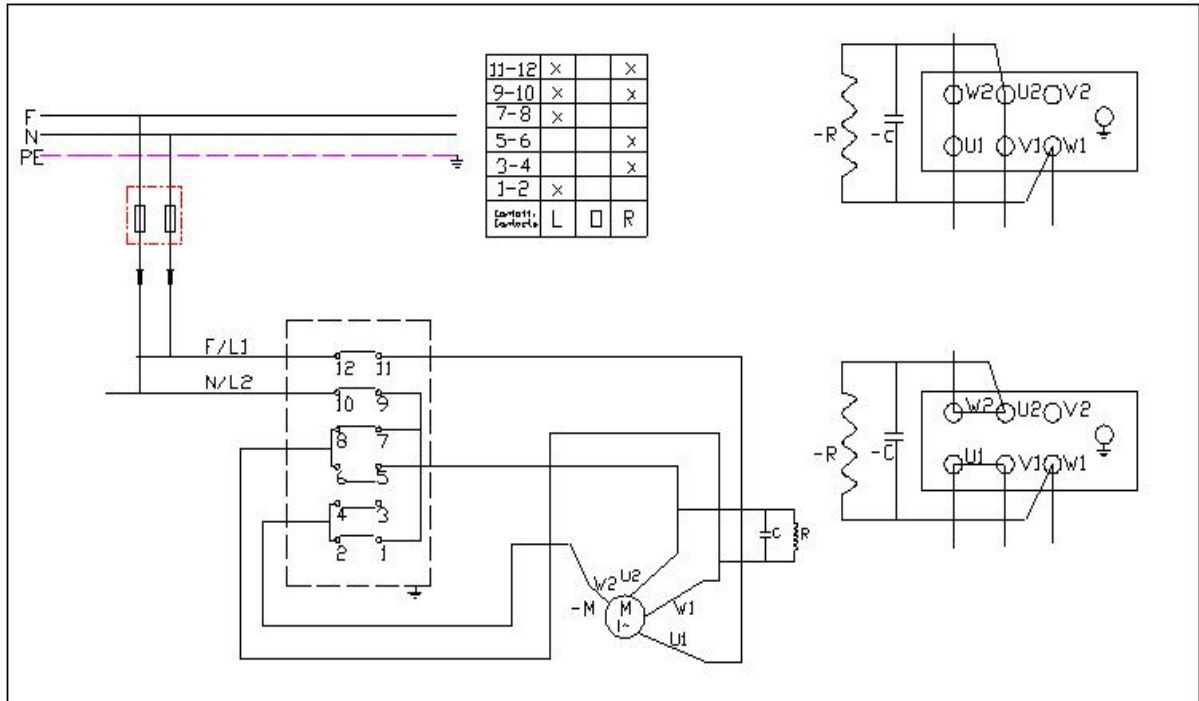


Figure 12-5

12. Electric Connection Diagram

110V/220~



380V~

